



### High-frequency transformer

### EFD25 Series

#### Parameters/Dimensions:

##### EFD25 Type 1

Information:

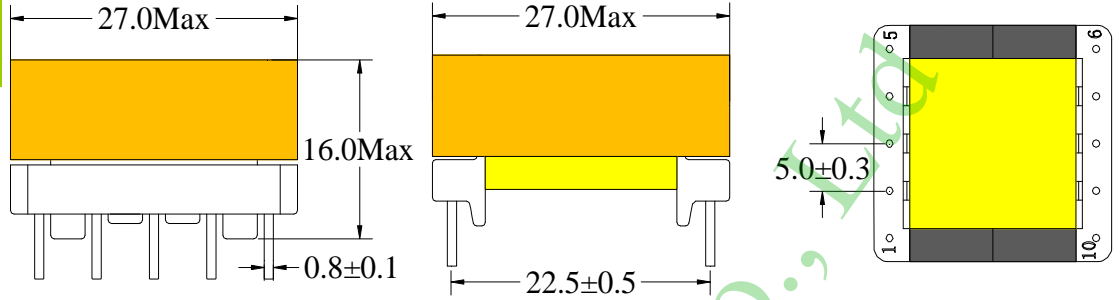
Shape:EFD25

1 Power:50W

2 Mounting Orientation: Horizontal

3 Size: 27 (W) \* 27 (L) \* 16 (H)

4 Effective Ae (mm<sup>2</sup>): 58.6



##### EFD25 Type 2

Information:

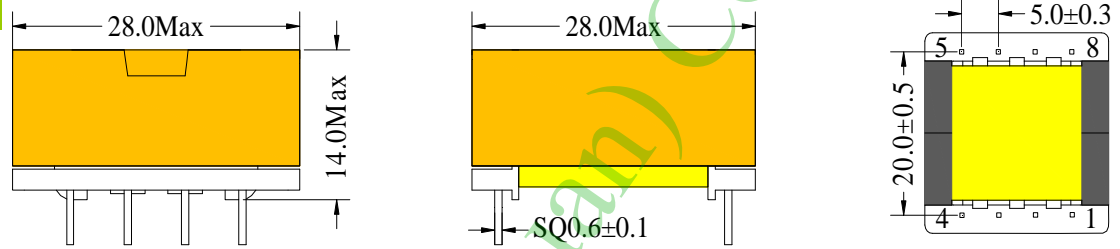
Shape:EFD25

1 Power:50W

2 Mounting Orientation: Horizontal

3 Size: 28 (W) \* 28 (L) \* 14 (H)

4 Effective Ae (mm<sup>2</sup>): 58.6



##### EFD25 Type 3

Information:

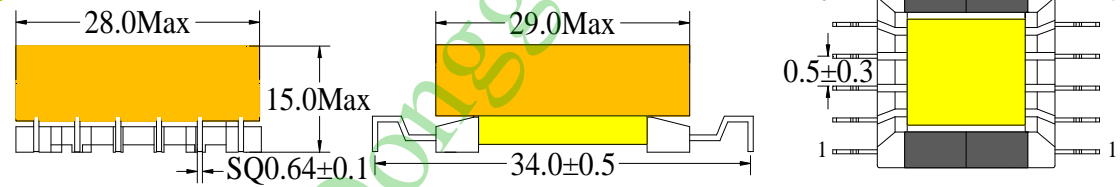
Shape:EFD25

1 Power:50W

2 Mounting Orientation: Horizontal

3 Size: 28 (W) \* 28 (L) \* 15 (H)

4 Effective Ae (mm<sup>2</sup>): 58.6



##### EFD25 Type 4

Information:

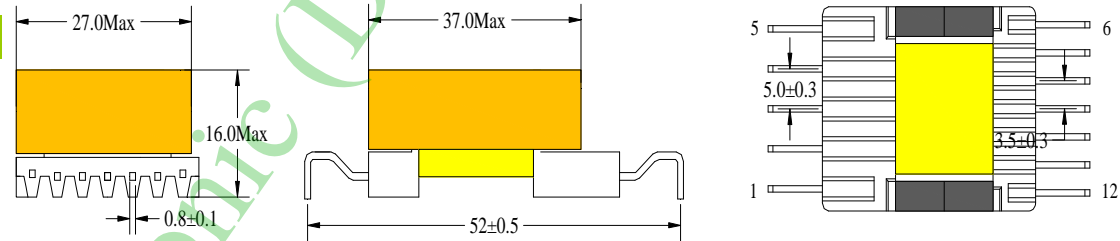
Shape:EFD25

1 Power:50W

2 Mounting Orientation: Horizontal

3 Size: 27 (W) \* 37 (L) \* 16 (H)

4 Effective Ae (mm<sup>2</sup>): 58.6



##### EFD25 Type 5

Information:

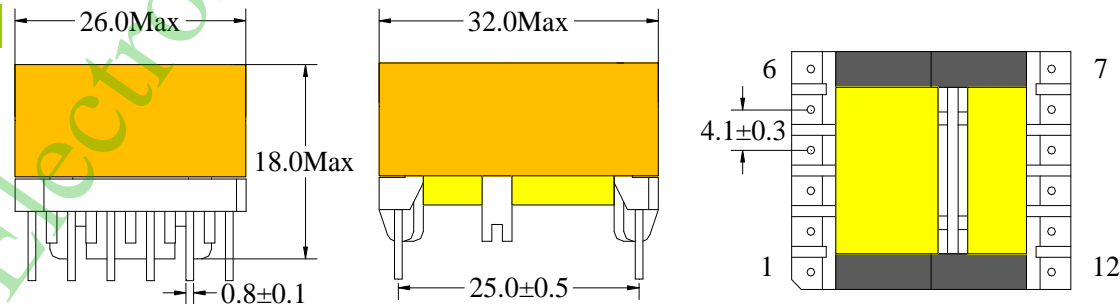
Shape:EFD25

1 Power:50W

2 Mounting Orientation: Horizontal

3 Size: 26 (W) \* 32 (L) \* 18 (H)

4 Effective Ae (mm<sup>2</sup>): 58.6



#### Note:

Bobbin type listed in the traditional style, transformer design parameters to customer needs or to inject prevail.

#### EFD series high-frequency transformer features:

Has a low thermal resistance, low attenuation, power, frequency of use of the advantages of wide bench. Finished light weight, reasonable structure, easy surface mount.

#### Uses:

Widely used in small and large power transformers, such as precision instruments, power modules, computer terminal output.